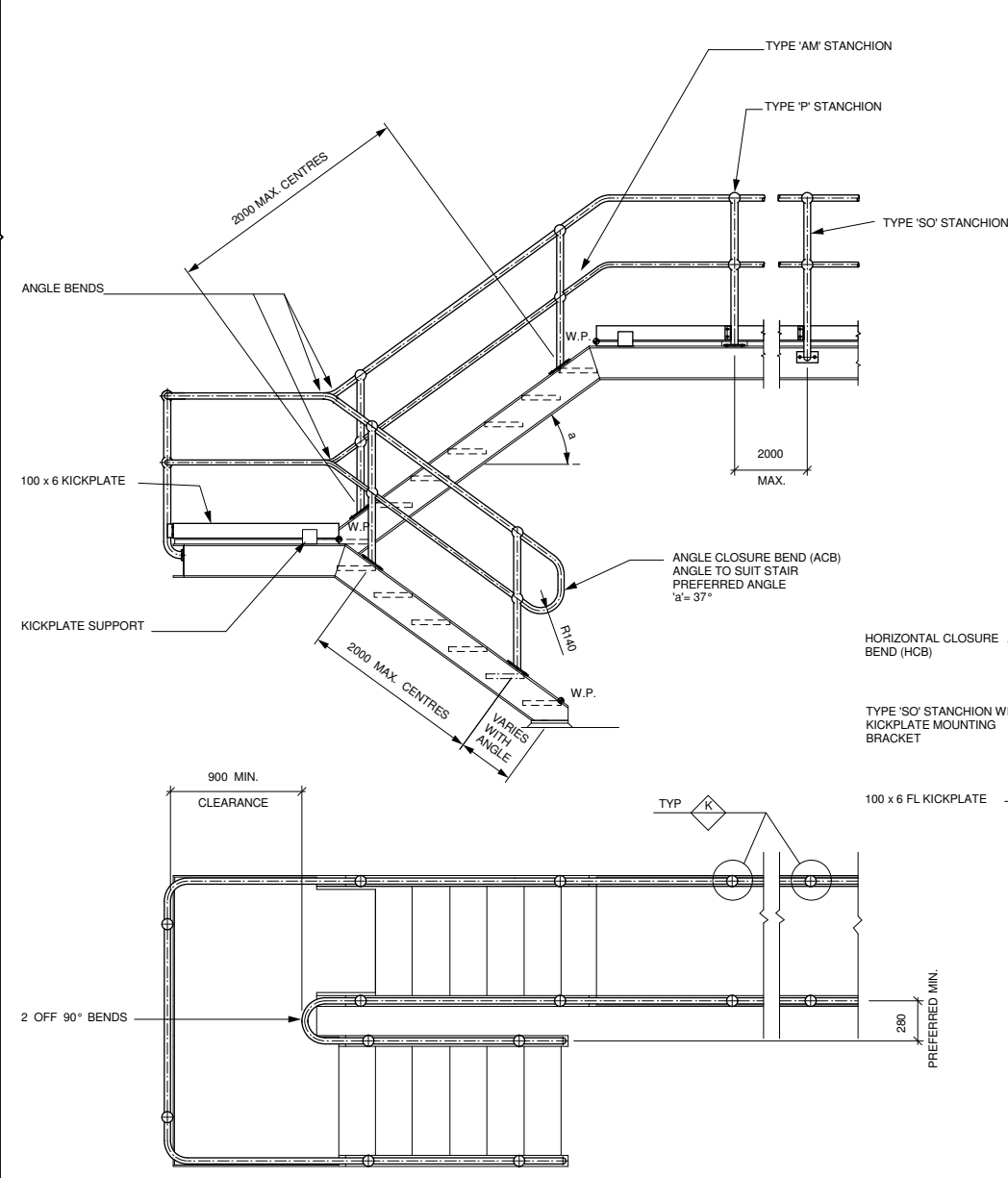
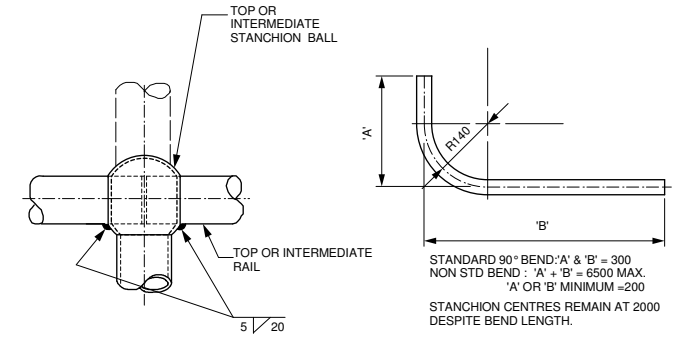


- NOTES**
- THIS DRAWING TO BE READ IN CONJUNCTION WITH GENERAL STRUCTURAL NOTES DRAWING.
 - THE DETAILS SHOWN ON THIS DRAWING ARE BASED ON REQUIREMENTS OUTLINED IN A.S.1657 (S.A.A. CODE FOR FIXED PLATFORMS, WALKWAYS, STAIRWAYS AND LADDERS) AND ARE MINIMUM ACCEPTABLE.
 - THE TYPE AND EXTENT OF HANDRAILS IS SHOWN ON THE DESIGN DRAWINGS.
 - CONTACT SURFACES OF HANDRAILS SHALL BE SMOOTH AND FREE FROM BURRS AND SHARP CORNERS.
 - ALL HANDRAILS ON THIS DRAWING ARE MONOWILLS HANDRAILING.
 - ALL HANDRAIL STANCHIONS AND RAILING TO BE HOT DIPPED GALVANISED U.O.N.
 - TYPE 'P' STANCHIONS ARE NOT RECOMMENDED WHERE CUT-OUTS IN THE FLOORING ARE REQUIRED FOR STANCHION INSTALLATION.
 - IF BENT PIPE IS NOT CONTINUOUS THROUGH STANCHION BALL, USE SPLICE (DETAIL P) OR FULLY WELD PIPE TO STANCHION.

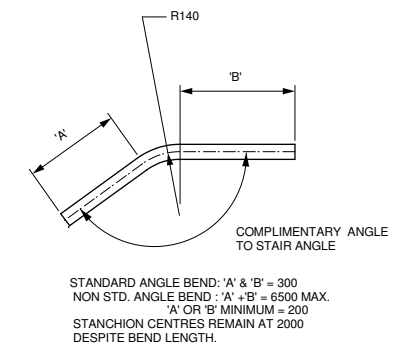
SIDE - 'S' SIDE-OFFSET - 'SO' PLATFORM - 'P' WELDED - 'W' SIDE CONVEYOR - 'SC' CORED - 'C' OFFSET CORED - 'C' DRILLED ONE SIDE ONLY - 'DOSO' ANGLE MOUNTED - 'AM'



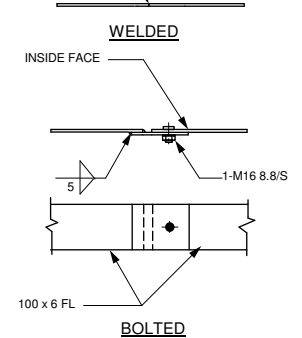
TYPICAL STAIR & PLATFORM HANDRAIL DETAILS



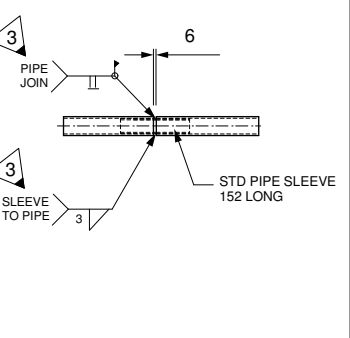
TYPICAL STANCHION/HANDRAIL JOINT TYPICAL 90° STD. & NON STD. BENDS SEE NOTE 8.



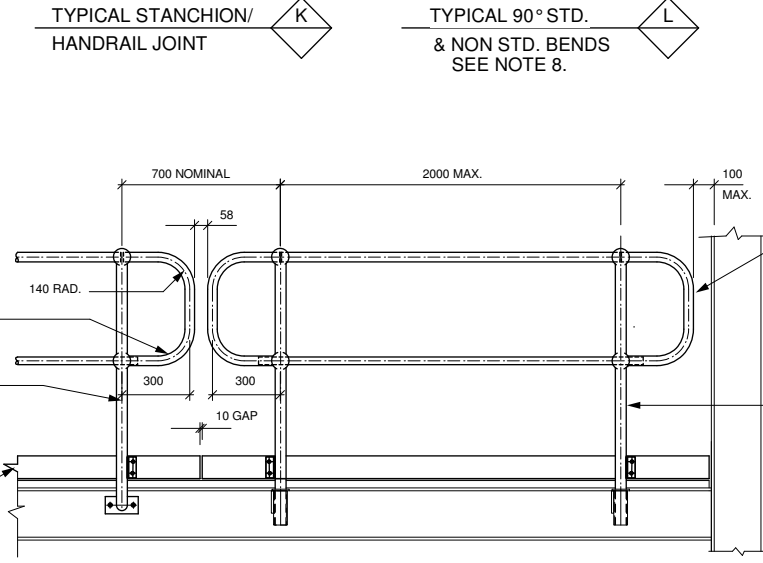
TYPICAL STANDARD & NON STANDARD ANGLE BENDS



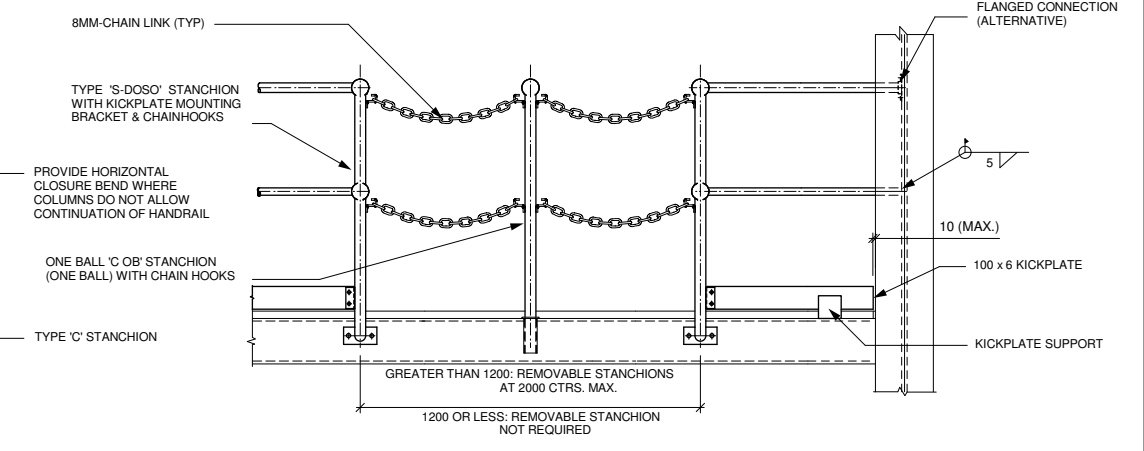
TYPICAL KICKPLATE SPLICE



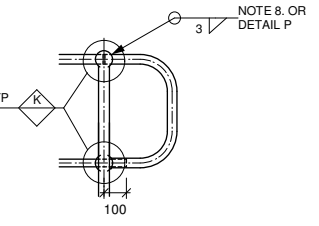
TYPICAL HANDRAIL SPLICE



TYPICAL REMOVABLE PANEL



TYPICAL REMOVABLE SAFETY CHAIN & RAIL/COLUMN CONNECTION DETAILS



TYPICAL CLOSURE HANDRAIL JOINT

FOR GENERAL RELEASE

| | | | |
|---|---|-----------|----------------------------|
| 1 | RENAMED, O DETAIL, NOTE 8 & KP BRACKET DETAIL REVISED | MR | 01/08/07 |
| 0 | RE-NUMBERED FROM STD-018r3 | TW | 19/5/05 |
| REV | PARTICULARS | BY | DATE |
| WEBFORGE (WA) 24 TENANT STREET, WELSHPOOL WESTERN AUSTRALIA A.C.N. 009 419 756 Phone (08) 9361 8933 Fax (08) 9361 7057 | | | |
| CLIENT: STANDARD HANDRAIL DETAILS | | | |
| DETAIL: ALUMINIUM/STAINLESS STEEL STANCHION WELDING | | | |
| WEBFORGE DPO TYPE | SURFACE TREATMENT | REQ'N No. | STD - 101/0 |
| DRAWN TAW | CHK | CUST. OR. | DRAWING No. STD - 101AS |
| DATE | 11/94 | JOB No. | REV. 1 |